

AC Current Probe Model MN115



Small, compact and very tough, the Model MN115 is designed for measurements from mA to 150A_{AC}. The “clothes pin” shape makes it ideal for use in tight areas, such as breaker panels, controller panels or outlets. It is an excellent companion to all DMMs.

The Model MN115 provides a voltage output proportional to measured current (1mV/A, 10mV/A or 100mV/A). This voltage output enables instruments with AC voltage ranges to measure, display or log currents. The Model MN115 permits True RMS measurements when used with a True RMS instrument.

Features

- Small, compact and very tough AC probes
- “Clothes pin” shape makes them ideal for use in tight areas, such as breaker panels, controller panels, or outlets
- Measurements from mA to 150A_{AC}
- Excellent companion to all DMMs. Permits very low AC current measurements
- CE Mark

Applications

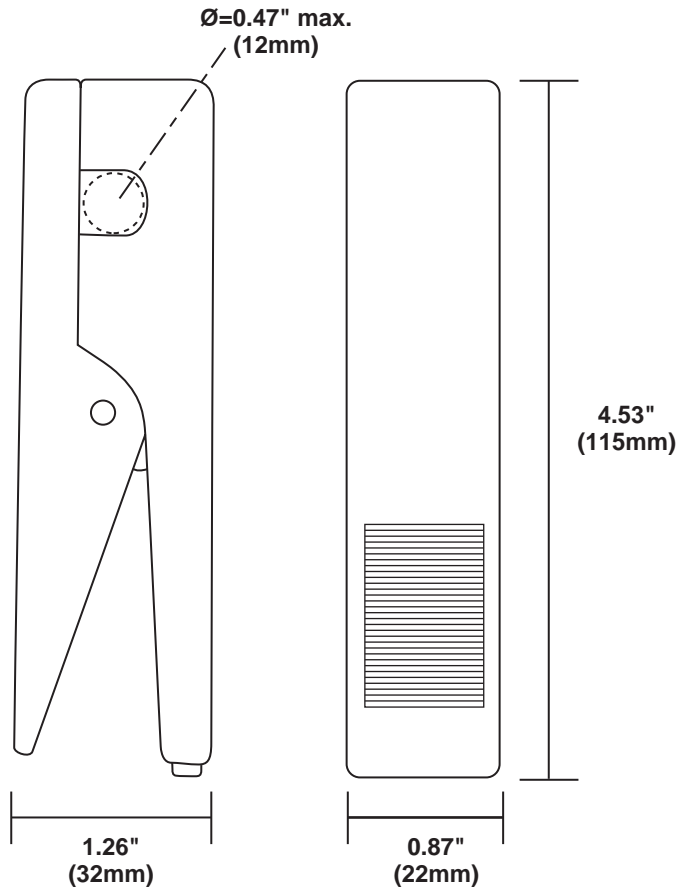
- Electrical utility
- HVAC
- Industrial maintenance
- Laboratory
- Plant maintenance

Specifications

MODELS	MN115
Nominal Range	100A
Measurement Range	1A to 1200A
Transformation Ratio	Voltage output
Output Signal	10mVAC/AAC (1V @ 100A)
Accuracy (100A Range) 1 to 100A	2% of Reading ± 50mA
40Hz to 3kHz	3.5% of Reading ± 50mA
Phase Shift (100A Range) 1 to 100A	≤6°, 50 to 60Hz
Overload	120A continuous
Frequency Range	30Hz to 5kHz
Load Impedance	100kΩ min
Working/Common Mode Voltage	600VAC
Output Termination	5 ft Lead
Operating Temperature	14° to 122°F (-10° to 50°C)
Storage Temperature	-40° to 176°F (-40° to 80°C)
Operating Relative Humidity	10 to 35°C 85% RH (without roll-off above 35°C)
Jaw Opening	0.78" (20mm)
Maximum Conductor Size	0.47"Ø max (12mm)
Dimensions	1.26 x 4.53 x 0.87" (32 x 115 x 22mm)
Weight	5.6 oz (160g)
Polycarbonate Material	Handles 10% fiberglass charged polycarbonate UL94 V0
Electrical	600V working voltage, 600V max common mode between output and ground, 3kV 50/60Hz dielectric for 1mm
Electromagnetic Compatibility	EN 50081-1 Class B, EN 50082-2 Electrostatic discharge IEC 1000-4-2, Radiated field IEC 1000-4-3, Fast transients IEC 1000-4-4, Magnetic field at 50/60Hz IEC 1000-4-8
CE Mark	Yes

Note: Reference conditions:

23°C ±3K, 20 to 70%RH, 48 to 65Hz, external magnetic field <40A/m, no DC component, no external current carrying conductor, test sample centered, load impedance 1MΩ.



Leads:
 Double/reinforced
 5 ft (1.5m) lead
 with safety 4mm
 banana plug

ORDERING INFORMATION	CATALOG NO.
AC Current Probe Model MN115 (Lead – 10mV/A – 100A max)	Cat. #2110.72
Includes a user manual	
Accessories (Optional)	
Pair, safety current leads (5 ft retractable rated 250V)	Cat. #100.319
Pair, current leads (39" color-coded)	Cat. #100.361
Banana plug adaptor (to nonrecessed plug).	Cat. #1017.45

Contact Us

United States & Canada:

Chauvin Arnoux®, Inc.
d.b.a. AEMC® Instruments
200 Foxborough Blvd.
Foxborough, MA 02035 USA
(508) 698-2115 • Fax (508) 698-2118
www.aemc.com

Customer Support – for placing an order, obtaining price & delivery:
customerservice@aemc.com

Sales Department – for general sales information:
sales@aemc.com

Repair and Calibration Service – for information on repair & calibration, obtaining a user manual:
repair@aemc.com

Technical and Product Application Support – for technical and application support:
techinfo@aemc.com

Webmaster – for information regarding www.aemc.com:
webmaster@aemc.com

South America, Australia & New Zealand:

Chauvin Arnoux®, Inc.
d.b.a. AEMC® Instruments
15 Faraday Drive
Dover, NH 03820 USA
(978) 526-7667 • Fax (978) 526-7605
export@aemc.com

All other countries:

Chauvin Arnoux
190, rue Championnet
75876 Paris Cedex 18, France
33 1 44 85 45 28 • Fax 33 1 46 27 73 89
info@chauvin-arnoux.com