

# AC Current Probe Model JM845A



The Model JM845A is a high performance AC current probe for higher currents. Excellent transformation and low phase shift, plus a broad frequency response, permit accurate measurements of current and power. The high quality magnetic core and uniform windings provide for accurate measurements up to 500A<sub>AC</sub>/1000A<sub>AC</sub>/1500A<sub>AC</sub>. The “squared” jaw permits multiple conductor or bus bar positioning. The Model JM845A provides excellent True RMS capabilities and reliable signal reproduction.

The Model JM845A works as a traditional current transformer providing current outputs (mA) over a broad range of transformation ratios. The Model JM845A probe is designed for use on DMMs, power and harmonic meters, recorders or instruments with AC current ranges.

## Features

- Current range: up to 500A<sub>AC</sub>/1000A<sub>AC</sub>/1500A<sub>AC</sub> (continuous cycle for the full temperature range). Transformation ratio: 500:5, 1000:5, 1500:5
- Output: 10mA<sub>AC</sub>/A<sub>AC</sub>, 5mA<sub>AC</sub>/A<sub>AC</sub>, 3.33mA<sub>AC</sub>/A<sub>AC</sub>
- Designed for use on DMMs, power and harmonic meters, recorders or instruments with AC current ranges

## Applications

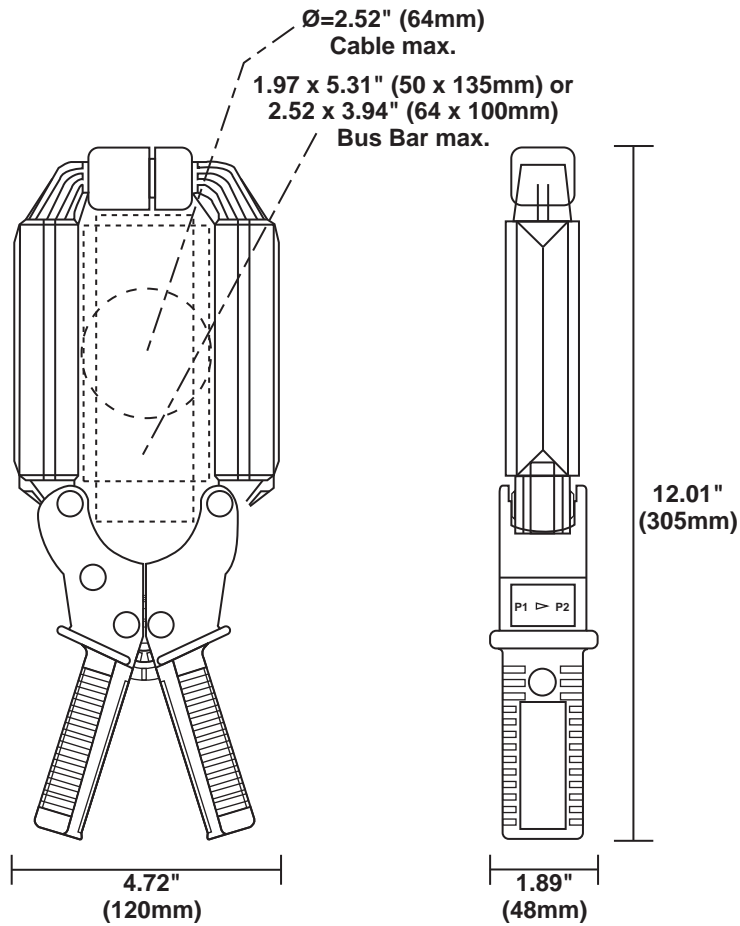
- Field testing
- Electrical utility
- HVAC
- Industrial maintenance
- Laboratory
- Plant maintenance

# Specifications

MODEL	JM845A
<b>ELECTRICAL</b>	
Nominal Range	1500A
Measurement Range	1 to 1800Aac
Transformation Ratio	500:5, 1000:5, 1500: 5
Output Signal	10mAac/Aac (5A @ 500A) 5mAac/Aac (5A @ 1000A) 3.33mAac/Aac (5A @ 3000A)
Accuracy (500A Range)	
25A	5% of Reading
100A	3% of Reading
500A	3% of Reading
Phase Shift (500A Range)	
25A	6°
100A	4°
500A	4°
Accuracy (1000A Range)	
50A	3% of Reading
200A	1.5% of Reading
1000A	1% of Reading
Phase Shift (1000A Range)	
50A	3°
200A	1.5°
3000A	1°
Accuracy (1500A Range)	
75A	1.5% of Reading
300A	0.75% of Reading
1500A	0.5% of Reading
Phase Shift (1500A Range)	
75A	1.5°
300A	0.75°
1500A	0.5°
Overload	700A for 10 min (500A); 1400A for 10 min (1000A); 1800A for 10 min (1500A)
Frequency Range	30 to 1500Hz; current derating above 1500Hz for continuous use
Load Impedance	0.2Ω (500A), 0.1Ω (1000A, 1500A)
Working/Common Mode Voltage	600Vac
Output Termination	Jack
<b>MECHANICAL</b>	
Operating Temperature	14° to 122°F (-10° to 50°C)
Storage Temperature	-13° to 176°F (-25° to 80°C)
Jaw Opening	3.54" (90mm)
Maximum Conductor Size	Cable: 2.52" Ø max (64mm); Bus bar: 1.97 x 5.31" (50 x 135mm); 2.52 x 3.94" (64 x 100mm)
Dimensions	4.72 x 12.40 x 1.89" (120 x 315 x 48mm)
Weight	2.65 lbs (1200g)
Polycarbonate Material	Handles: 10% fiberglass charged polycarbonate UL94 VO; Jaws: ABS UL V2
<b>SAFETY</b>	
Electrical	EN61010-2-32
Electromagnetic Compatibility	EN 50081-1 Class B; EN 50082-2 Electrostatic discharge IEC 100-4-2; Radiated field IEC 1000-4-3; Fast transients IEC 1000-4-4; Magnetic field at 50/60Hz IEC 1000-4-4
CE Mark	Yes

Note: Reference conditions:

23°C ± 3°K, 20 to 85% RH, 45 to 65Hz, external magnetic field < 40A/m, no DC component, no external current carrying conductor, test sample centered.



**Jacks:**  
 Two standard  
 safety banana  
 jacks (4mm)

ORDERING INFORMATION	CATALOG NO.
<b>AC Current Probe Model JM845A</b> (Jack – 10mA – 500A; 5mA – 1000A; 3.33mA – 1500A max) . . . . .	<b>Cat. #2110.86</b>
Includes a user manual	
<b>Accessories (Optional)</b>	
Pair, safety current leads (5 ft retractable, rated 250V) . . . . .	Cat. #100.319
Banana plug adaptor (to nonrecessed plug) . . . . .	Cat. #1017.45
Leads, set of 2, 5 ft safety (1000V) . . . . .	Cat. #2111.29
Banana/BNC Connector XF-SS (4mm banana plug). . . . .	Cat. #2111.32
Leads No. 211 for probe 5 A series (5 ft, rated 250V) . . . . .	Cat. #2950.06

## Contact Us

### United States & Canada:

Chauvin Arnoux®, Inc.  
d.b.a. AEMC® Instruments  
200 Foxborough Blvd.  
Foxborough, MA 02035 USA  
(508) 698-2115 • Fax (508) 698-2118  
[www.aemc.com](http://www.aemc.com)

**Customer Support – for placing an order, obtaining price & delivery:**  
[customerservice@aemc.com](mailto:customerservice@aemc.com)

**Sales Department – for general sales information:**  
[sales@aemc.com](mailto:sales@aemc.com)

**Repair and Calibration Service – for information on repair & calibration, obtaining a user manual:**  
[repair@aemc.com](mailto:repair@aemc.com)

**Technical and Product Application Support – for technical and application support:**  
[techinfo@aemc.com](mailto:techinfo@aemc.com)

**Webmaster – for information regarding [www.aemc.com](http://www.aemc.com):**  
[webmaster@aemc.com](mailto:webmaster@aemc.com)

### South America, Australia & New Zealand:

Chauvin Arnoux®, Inc.  
d.b.a. AEMC® Instruments  
15 Faraday Drive  
Dover, NH 03820 USA  
(978) 526-7667 • Fax (978) 526-7605  
[export@aemc.com](mailto:export@aemc.com)

### All other countries:

Chauvin Arnoux  
190, rue Championnet  
75876 Paris Cedex 18, France  
33 1 44 85 45 28 • Fax 33 1 46 27 73 89  
[info@chauvin-arnoux.com](mailto:info@chauvin-arnoux.com)