

AC Current Probe Model MN212



The Model MN212 is the latest in compact AC current probes. It is designed to meet the most stringent demands in industry and electrical contracting. Model MN212 meets EN 61010, 600V, Cat. III safety standards and is CE Marked and UL approved for Canada and United States.

The Model MN212 has a 0.78" (20mm) jaw opening and can accommodate conductors up to 250MCM. The unique hooked jaw design facilitates clamping and hooking onto conductors. Polycarbonate materials and ultrasonic welding are used throughout to ensure ruggedness and overall lasting reliability.

The Model MN212 uses tape-wound cores to further improve its high and low end performance. Rated at 200Arms it has a measurement range to 240Arms.

Features

- Small, compact size
- Measurement range of 0.5 to 240AAC
- Large jaw opening accommodates conductors up to 250MCM
- Designed for DMMs, loggers, recorders and oscilloscopes
- 40Hz to 10kHz response
- 1mA_{AC}/AAC output signals
- Designed to EN 61010, 600V Cat. III safety standard
- UL approved for Canada and United States
- Double Insulation
- CE Mark

Applications

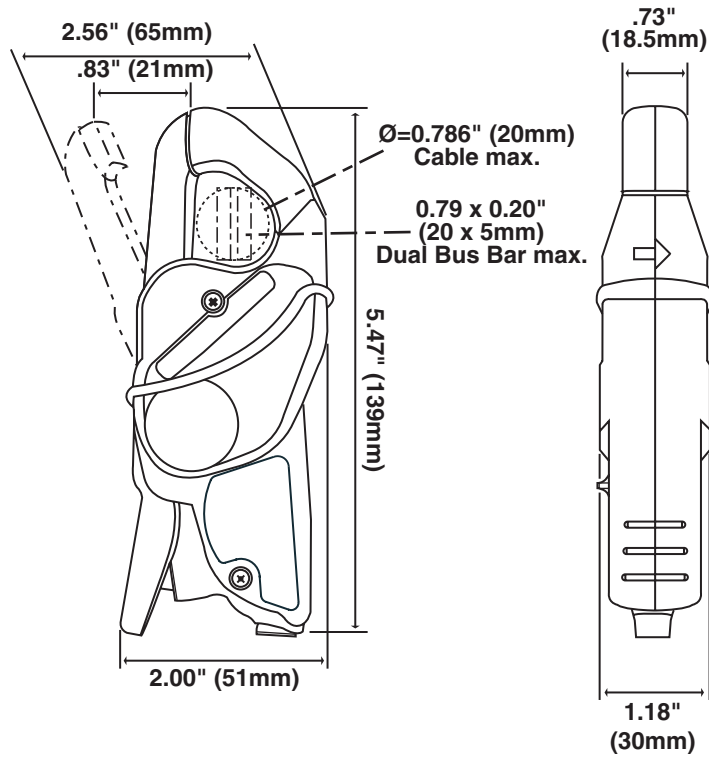
- Measuring in breaker panels
- Industrial loads
- HVAC
- Residential and commercial sites
- 5A secondary current transformers (CTs) monitoring
- Data logging/recording

Specifications

MODEL	MN212*
ELECTRICAL	
Nominal Range	200A
Measurement Range	0.5 to 240A
Transformation Ratio	1000: 1
Output Signal	1mA/A on 1 Ω
Accuracy (200A Range)	
0.5 to 10A	3.0% of Reading \pm 0.5A
10 to 40A	2.5% of Reading \pm 0.5A
40 to 100A	2.0% of Reading \pm 0.5A
100 to 240A	1.0% of Reading \pm 0.5A
Phase Shift (200A Range)	
0.5 to 10A	Not Specified
10 to 40A	\leq 5.0 $^\circ$
40 to 100A	\leq 3.0 $^\circ$
100 to 240A	\leq 2.5 $^\circ$
Overload	240A for 10 min ON, 30 min OFF
Frequency Range	40 to 10kHz
Limit Operating Conditions	200A permanently to 1kHz; Derating above 3kHz: 200A x (1/0.333F), F in kHz
Crest Factor	3 @ 200Arms with an error (due to CF) of 4%
Working/Common Mode Voltage	600Vrms
Output Termination	Jack
MECHANICAL	
Operating Temperature	14 $^\circ$ to 131 $^\circ$ F (-10 $^\circ$ to 55 $^\circ$ C)
Storage Temperature	-40 $^\circ$ to 158 $^\circ$ F (-40 $^\circ$ to 70 $^\circ$ C)
Operating Relative Humidity	10 to 35 $^\circ$ C 85% RH (without roll-off above 35 $^\circ$ C)
Jaw Opening	0.83" (21mm)
Maximum Conductor Size	0.78" (20mm)
Dimensions	5.47 x 2.00 x 1.18" (139 x 51 x 30mm)
Weight	6.5 oz (180g)
Polycarbonate Material	Polycarbonate with fiberglass charge, UL94 V0
SAFETY	
Electrical	EN 61010-2-32
UL Approval	Yes – Canada and United States
Double Insulation <input type="checkbox"/>	Yes
CE Mark	Yes

Note: Reference conditions: 20 to 26 $^\circ$ C, 20 to 75% RH, external magnetic field <40A/m, 48 to 65Hz sine wave, distortion factor less than 1%, no DC component, no external current carrying conductor, test sample centered. Load impedance >1 Ω

*Diode protection for open secondary (output)



Jacks:
Two standard safety banana jacks (4mm)

ORDERING INFORMATION

CATALOG NO.

AC Current Probe Model MN212 (Jack – 1mA/A – 240A max)	Cat. #2115.74
Includes a user manual	
Accessories (Optional)	
Leads, set of two, 5 ft safety (1000V)	Cat. #2111.29
Banana plug adaptor (Safety Leads to nonrecessed plug)	Cat. #1017.45
Banana (Female) – BNC (Male) Adaptor	Cat. #2118.46

Contact Us

United States and Canada:

Chauvin Arnoux[®], Inc.
d.b.a. AEMC[®] Instruments
200 Foxborough Blvd.
Foxborough, MA 02035 USA
(508) 698-2115 • Fax (508) 698-2118
www.aemc.com

Customer Support – for placing an order, obtaining price and delivery:
customerservice@aemc.com

Sales Department – for general sales information:
sales@aemc.com

Repair and Calibration Service – for information on repair and calibration, obtaining a user manual:
repair@aemc.com

Technical and Product Application Support – for technical and application support:
techinfo@aemc.com

Webmaster – for information regarding www.aemc.com:
webmaster@aemc.com

South America, Central America, Mexico, Caribbean, Australia and New Zealand:

Chauvin Arnoux[®], Inc.
d.b.a. AEMC[®] Instruments
15 Faraday Drive
Dover, NH 03820 USA
(978) 526-7667 • Fax (978) 526-7605
export@aemc.com
www.aemc.com

All other countries:

Chauvin Arnoux SCA
190, rue Championnet
75876 Paris Cedex 18, France
33 1 44 85 45 28 • Fax 33 1 46 27 73 89
info@chauvin-arnoux.com
www.chauvin-arnoux.com