

AC Current Probe Model JM875



The Model JM875 is a high performance AC current probe for higher currents. Excellent transformation and low phase shift, plus a broad frequency response, permit accurate measurements of current and power. The high quality magnetic cores and uniform windings provide for accurate measurements up to 30A_{AC}/300A_{AC}/3000A_{AC}. The “squared” jaw permits multiple conductor or bus bar positioning. The Model JM875 provides excellent True RMS capabilities and reliable signal reproduction.

The Model JM875 provides an accurate voltage output proportional to the measured current (1mV/A, 10mV/A or 100mV/A). This voltage output enables instruments without current ranges to display or log currents on an AC voltage range.

Features

- Nominal range: 30A_{AC}, 300A_{AC}, 3000A_{AC} (continuous cycle for the full temperature range)
- Output: 100mV_{AC}/A_{AC}, 10mV_{AC}/A_{AC}, 1mV_{AC}/A_{AC}
- Designed for use on DMMs, power and harmonic meters, recorders or instruments with AC current ranges

Applications

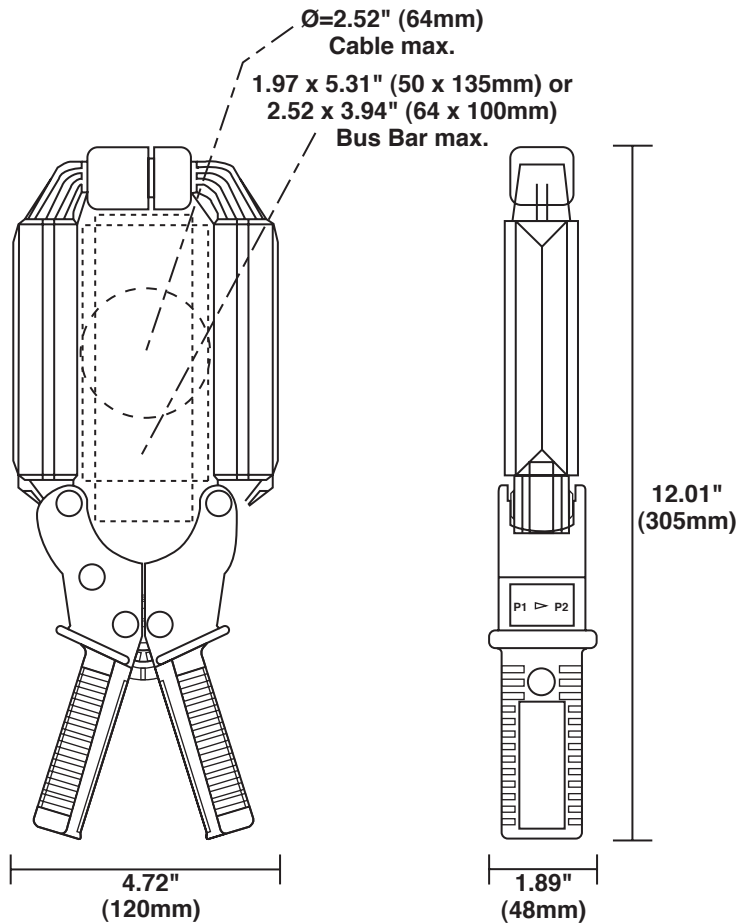
- Field testing
- Electrical utility
- HVAC
- Industrial maintenance
- Laboratory
- Plant maintenance

Specifications

MODELS	JM875
ELECTRICAL	
Nominal Range	30A, 300A, 3000A
Measurement Range	1 to 3200A
Transformation Ratio	Voltage output
Output Signal	100mV _{AC} /A _{AC} (3V @ 30A) 90A Peak 10mV _{AC} /A _{AC} (3V @ 300A) 900A Peak 1mV _{AC} /A _{AC} (3V @ 3000A) 9000A Peak
Accuracy (30A Range)	
1.5A	2% of Reading ± 10mV (0.5A)
6A	2% of Reading ± 10mV (0.5A)
30A	2% of Reading ± 10mV (0.5A)
Phase Shift (30A Range)	
1.5A	15°
6A	7°
30A	5°
Accuracy (300A Range)	
15A	2% of Reading ± 2mV (0.2mA)
60A	2% of Reading ± 2mV (0.2mA)
300A	2% of Reading ± 2mV (0.2mA)
Phase Shift (300A Range)	
15A	3°
60A	1.5°
300A	1
Accuracy (3000A Range)	
150A	2% of Reading ± 0.5mV
600A	2% of Reading ± 0.5mV
3000A	2% of Reading ± 0.5mV
Phase Shift (3000A Range)	
150A	1.5°
600A	1°
3000A	0.5°
Overload	3200A for 5 min
Frequency Range	30 to 5kHz; current derating above 200Hz on the 3000A range
Load Impedance	>100kHz
Working/Common Mode Voltage	600V _{AC}
Output Termination	Jack
MECHANICAL	
Operating Temperature	14° to 122°F (-10° to 50°C)
Storage Temperature	-13° to 176°F (-25° to 80°C)
Jaw Opening	3.54" (90mm)
Maximum Conductor Size	Cable: 2.52" Ø max (64mm); Bus bar: 1.97 x 5.31" (50 x 135mm); 2.52 x 3.94" (64 x 100mm)
Dimensions	4.72 x 12.40 x 1.89" (120 x 315 x 48mm)
Weight	2.65 lbs (1200g)
Polycarbonate Material	Handles: 10% fiberglass charged polycarbonate UL94 V0; Jaws: ABS UL V2
SAFETY	
Electrical	EN61010-2-32
Electromagnetic Compatibility	EN 50081-1 Class B; EN 50082-2 Electrostatic discharge IEC 1000-4-2; Radiated field IEC 1000-4-3; Fast transients IEC 1000-4-4; Magnetic field at 50/60Hz IEC 1000-4-4
Double Insulation <input type="checkbox"/>	Yes
CE Mark	Yes

Note: Reference conditions:

23°C ± 3°K, 20 to 85% RH, 48 to 65Hz, external magnetic field <40A/m, no DC component, no external current carrying conductor, test sample centered, load impedance ≥ 1mΩ.



Jacks:
 Two standard
 safety banana
 jacks (4mm)

ORDERING INFORMATION

CATALOG NO.

AC Current Probe Model JM875 (Jack – 100mV/A – 30A; 10mV/A – 300A; 1mV/A – 2800A max)	Cat. #2110.89
Includes a user manual	
Accessories (Optional)	
Banana plug adaptor (to nonrecessed plug)	Cat. #1017.45
Leads, set of 2, 5 ft safety (1000V)	Cat. #2111.29
Banana/BNC Connector XF-SS (4mm banana plug)	Cat. #2111.32

Contact Us

United States and Canada:

Chauvin Arnoux[®], Inc.
d.b.a. AEMC[®] Instruments
200 Foxborough Blvd.
Foxborough, MA 02035 USA
(508) 698-2115 • Fax (508) 698-2118
www.aemc.com

Customer Support – for placing an order, obtaining price and delivery:
customerservice@aemc.com

Sales Department – for general sales information:
sales@aemc.com

Repair and Calibration Service – for information on repair and calibration, obtaining a user manual:
repair@aemc.com

Technical and Product Application Support – for technical and application support:
techinfo@aemc.com

Webmaster – for information regarding www.aemc.com:
webmaster@aemc.com

South America, Central America, Mexico, Caribbean, Australia and New Zealand:

Chauvin Arnoux[®], Inc.
d.b.a. AEMC[®] Instruments
15 Faraday Drive
Dover, NH 03820 USA
(978) 526-7667 • Fax (978) 526-7605
export@aemc.com
www.aemc.com

All other countries:

Chauvin Arnoux SCA
190, rue Championnet
75876 Paris Cedex 18, France
33 1 44 85 45 28 • Fax 33 1 46 27 73 89
info@chauvin-arnoux.com
www.chauvin-arnoux.com